



ARISTON

# SPARE PARTS EXPLODED VIEW INSTANTANEOUS ELECTRIC WATER HEATERS

Model

## AURES M

R8218699-05 - 19/07/2022

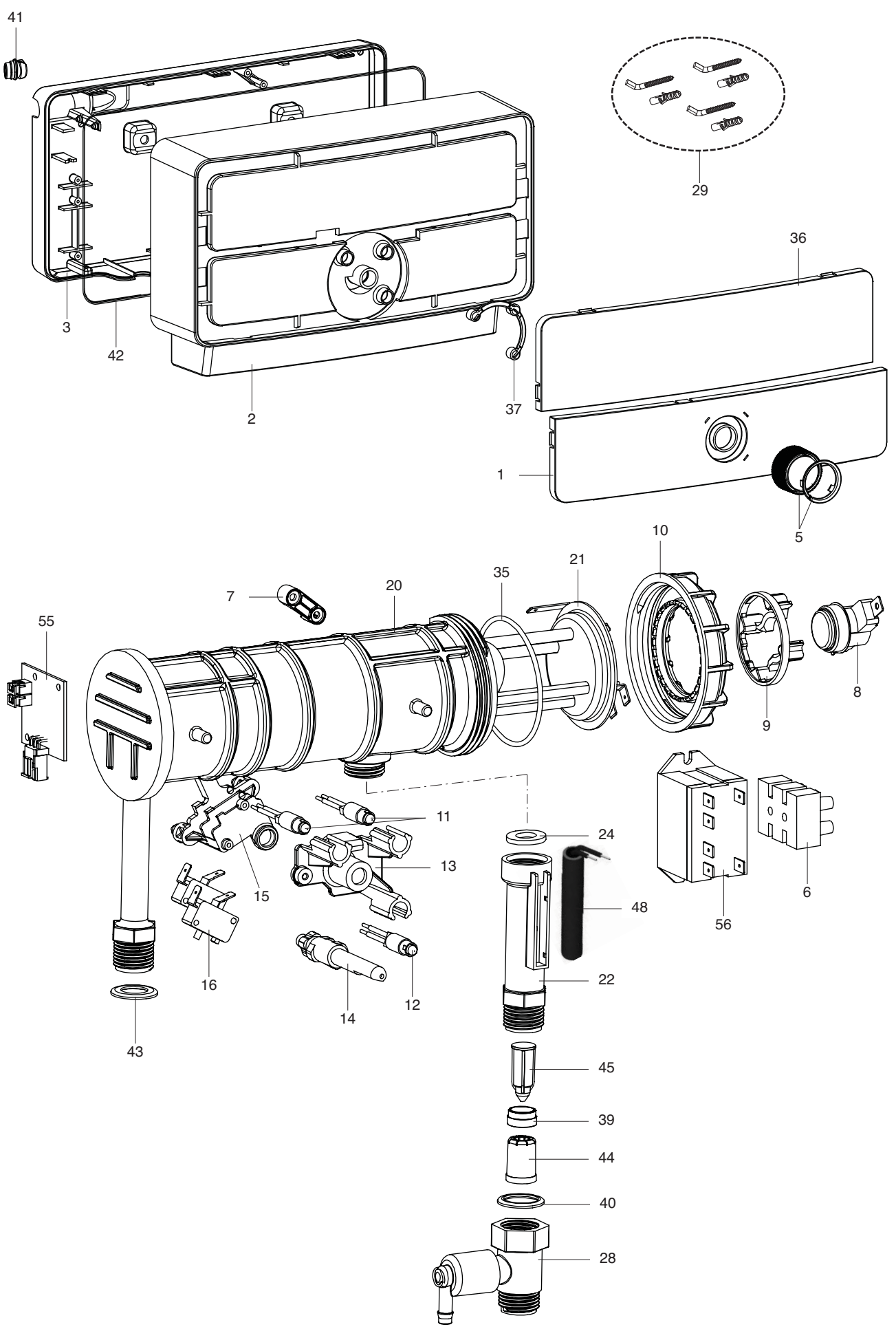
AURES M

Instantaneous Electric Water Heaters

1	3195226	AURES M 3 CB 110V US-1	08-2021	-
2	3195211	AURES M 5 EU	02-2021	-
3	3195220	AURES M 6 EU	02-2021	-
4	3195234	AURES M 6	02-2021	-
5	3195579	AURES M 6 WH	04-2022	-
6	3195227	AURES M 6.5 240V US-1	08-2021	-
7	3195218	AURES M 7 EU	02-2021	-
8	3195214	AURES M 7 SASO KSA	02-2021	-
9	3195213	AURES M 7.7	02-2021	-
10	3195237	AURES SM2 7.7 EU	07-2021	-
11	3195235	AURES M 8	02-2021	-

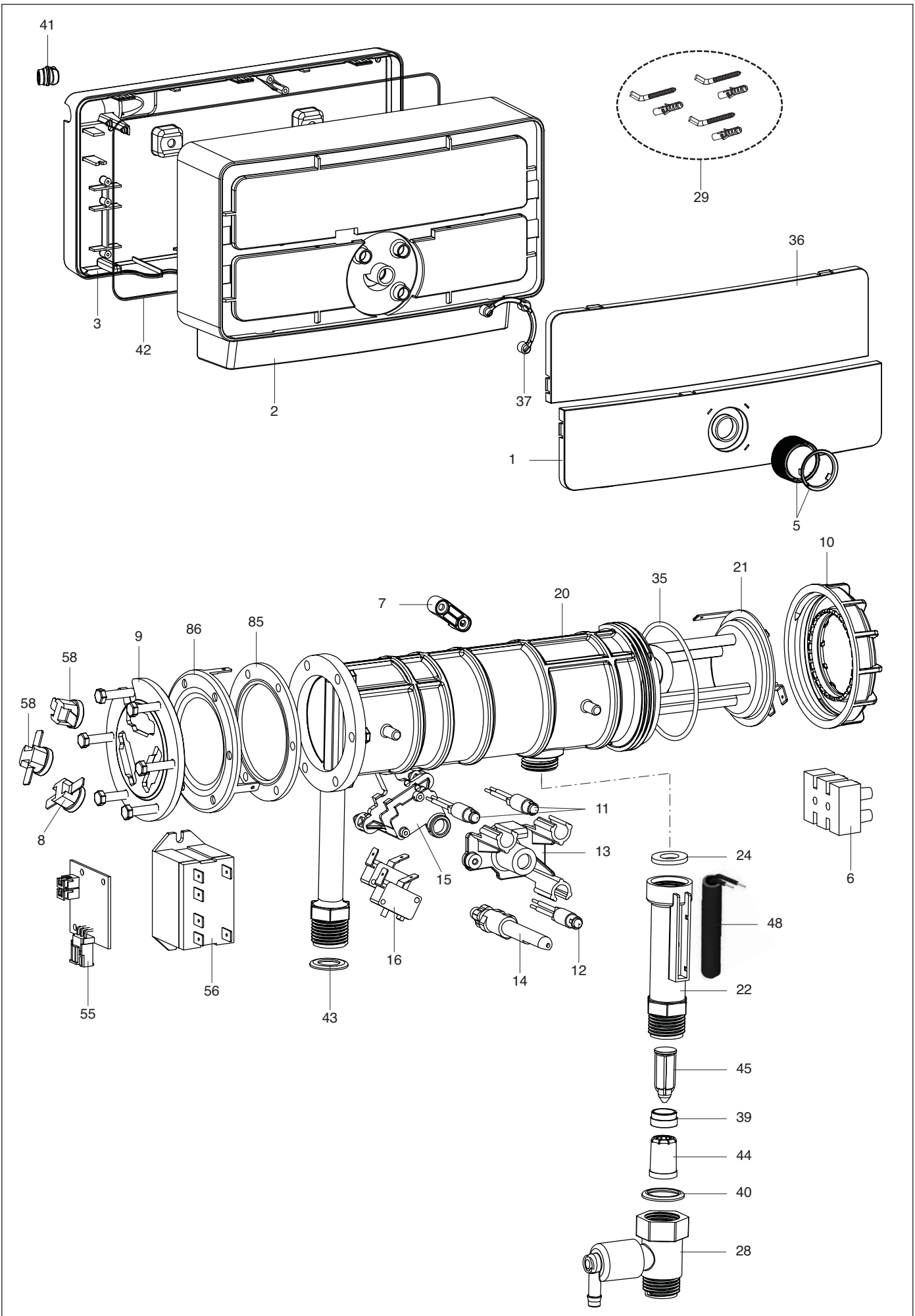
  

Col	Reference	Model type	Begin	End
-----	-----------	------------	-------	-----



AURES M 5 EU





AURES M 7.7, AURES M 7 SASO, AURES M 6/7 EU, AURES M 6/8, AURES SM2 7.7 EU, AURES SM 3/6.5 US, AURES M 6 WH



## LIST OF THE ABBREVIATIONS

HW .....	: Hot water.
CW .....	: Cold water.
C .....	: Ceramic resistance (normal heating).
Ca .....	: Ceramic resistance (accelerated heating)
TP .....	: Immersion heater.
1F .....	: With fittings.
2F .....	: Without fittings.
3F .....	: With fittings and another outlet connection.
AMI .....	: With mixing valve.
SMI .....	: Without mixing valve.
PUISS .....	: Power of th appliance.
PN .....	: Appliance with normal pression.
LP .....	: Appliance with low pression.
PV .....	: Appliance with variable power.
PF .....	: Appliance with fixed power.

## IDENTIFICATION PLATE

### SERIAL NUMBER

**6 Characters :**  
 Year of manufacture 03 09 08 Manufacturing day  
 Month of manufacture

**9 Characters :**  
 Year of manufacture 5 9 12 0606 Sequential number  
 Month of manufacture

**14 Characters :**  
 SI-V-0B0 45 07 0001  
 Sequential number  
 Year of manufacture : 6 → 2004  
 Month of manufacture : → 25 → January 43 → July 7 → 2005  
 13 → February 29 → August 8 → 2006  
 32 → March 40 → September etc ...  
 35 → April 38 → October  
 39 → May 51 → November  
 45 → June 12 → December  
 Product model

**14 Characters :**  
 111518 XX 000010  
 Month of manufacture 11 15 18 Sequential number  
 Day of manufacture XX 000010 Year of manufacture

**15 Characters :**  
 02 11 00001 007843  
 Year of manufacture 02 11 Product reference  
 Month of manufacture 00001 007843 Sequential number

**21 Characters :**  
 3200050 XX 08115 0000001  
 Product reference 3200050 XX 08115 Sequential number  
 Year (08) / Manufacturing day (115)

**22 Characters :**  
 3200050 XX 070115 0000001  
 Product reference 3200050 XX 070115 Sequential number  
 Year (07) / Month (01) / Manufacturing day (15)

The indications mentioned on the prices, commercial or technical literature and the scheme are written for your guidance and are available at a given time. The CONSTRUCTOR retains the power to modify the presentation, the form, the size, the conception or the material of the products.